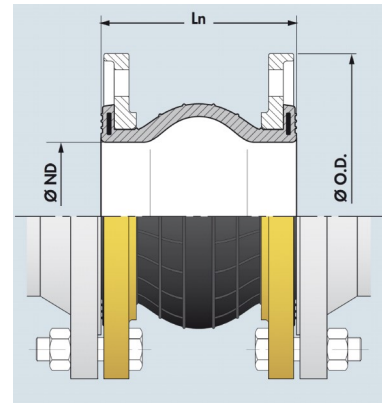


# DILATOFLEX®

## DILATOFLEX® KP



Nominal diameter	Nominal length	Drilling standards NF EN 1759-1 NF EN 1092-1	Max. permissible pressure (1) bar	Steel ring required for vacuum greater than ...% vacuum	Max. permissible movements (maximum values do not apply simultaneously)				Approx. weight in kg (2)		
					Compression	Elongation	Shearing	Angular			
Ln (mm)	Class 150 (PN20)	PN 25	T ≤ 55 °C	Ln-Lc (mm)	Le-Ln (mm)	R (mm)	α° (degree)				
32	1 1/4	130	X	25	-	20	10	10	15	3.0	
40	1 1/2	130	X	X	25	-	20	10	10	15	3.4
50	2	130	X	X	25	30%	20	10	10	15	4.0
65	2 1/2	130	X	X	25	30%	20	10	10	15	4.7
80	3	130	X	X	25	30%	20	10	10	12	5.0
100	4	130	X	X	25	30%	20	10	10	9	6.2
125	5	130	X	X	25	30%	20	15	15	9	7.7
150	6	130	X	X	25	30%	15	15	10	5	10.0
200	8	130	X	X	25	30%	15	20	15	5	12.2
250	10	130	X	X	25	30%	10	20	10	4	16.7
300	12	130	X	X	25	30%	10	20	10	4	20.0



- (1) Limited to the nominal pressure of the drilling standard being used.  
 (2) Floating flanges in zinc-chromated, hot-dip galvanized or 304L stainless steel.

### Inner lining grade and working temperature

**DW** -25 °C  
+90 °C/105 °C

**GZ** -20 °C  
+90 °C

**TE** -25 °C  
+100 °C

anvis Decize S.A.S.

Usine des Caillots—BP101—F-58302 DECIZE CEDEX

✉ dilatoflex@anvisgroup.com — www.dilatoflex.com

**anvis**